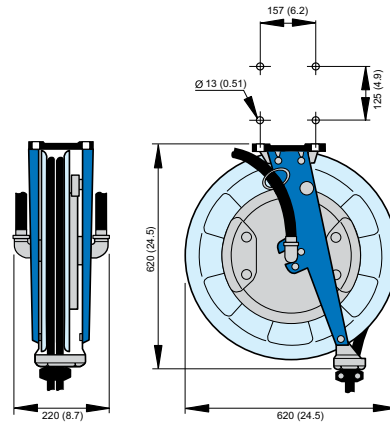


Hose Reel Series 876

The ultimate reel for twin hoses, designed to handle oxygen/acetylene or oxygen/LPG supplies. This is an application where safety cannot be stressed enough.



- Single-layer hose feed and storage
- Open design for safety and easy servicing
- All-steel construction



Use for	Max. working pressure, MPa (psi)	Distribution hose, Int. Ø, mm (in)	Distribution hose, Length, m	Connection hose, Int. Ø, mm (in)	Connection hose, Length, m	Hose type (see page 21)	Weight, kg	Reel with hose Part no.	Reel without hose Part no.
Oxygen and Acetylene	2.0 (290)	2 x 6.3 (1/4)	20	2 x 6.3 (1/4)	1	K	26-30	30828476	30828376
Oxygen and Acetylene	2.0 (290)	1 x 6.3 (1/4) + 1 x 10 (3/8)	15	1 x 6.3 (1/4) + 1 x 10 (3/8)	1	K	26-30	30827276	30827176
Oxygen and Acetylene	2.0 (290)	2 x 10 (3/8)	15	2 x 10 (3/8)	1	K	26-30	30827476	30827376
Oxygen and LPG	2.0 (290)	2 x 10 (3/8)	15	2 x 10 (3/8)	1	K	26-30	30827676	30827576

Material recycling: 100%